



## Handling System for Hood type Pre-wash Infill Top with Bowl Left to Right, 1000mm

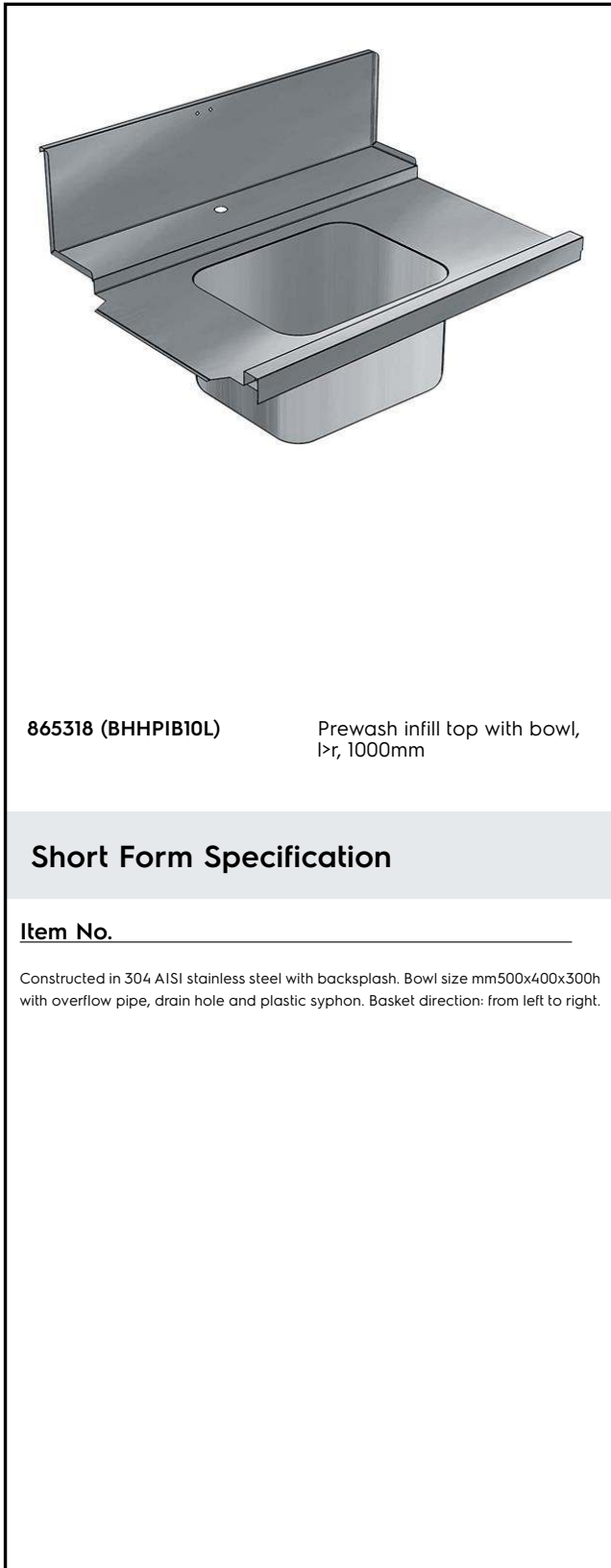
ITEM # \_\_\_\_\_

MODEL # \_\_\_\_\_

NAME # \_\_\_\_\_

SIS # \_\_\_\_\_

AIA # \_\_\_\_\_



865318 (BHHP1B10L)

Prewash infill top with bowl,  
l>r, 1000mm

### Short Form Specification

Item No. \_\_\_\_\_

Constructed in 304 AISI stainless steel with backsplash. Bowl size mm500x400x300h with overflow pipe, drain hole and plastic syphon. Basket direction: from left to right.

### Main Features

- To be secured to the dishwasher and fitted to the receiving and sorting tables at the other end.
- Designed for 500x500 mm dishwashing racks.

### Construction

- Deep anti-drip profiles completely folded with lower edge for safe and easy cleaning.
- All surfaces smooth with polished finish.
- 304 AISI stainless steel construction throughout.
- Included splashback to prevent water spatter.
- [NOT TRANSLATED]

### Optional Accessories

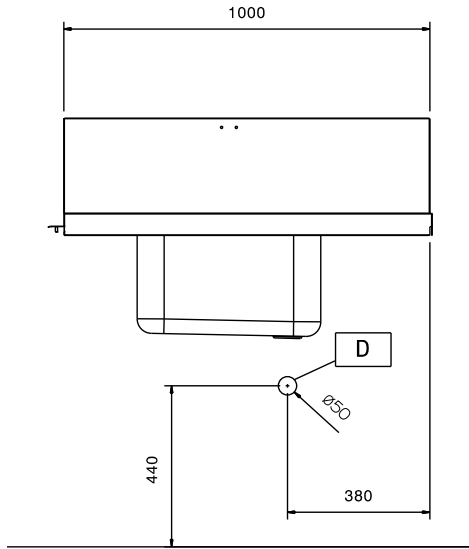
- - NOT TRANSLATED - PNC 855379
- - NOT TRANSLATED - PNC 855380
- - NOT TRANSLATED - PNC 855381
- - NOT TRANSLATED - PNC 855385
- - NOT TRANSLATED - PNC 855386
- - NOT TRANSLATED - PNC 855389
- Floor fastening kit for 2 square legs PNC 865386
- Single plastic drain syphon 2 " for sinks PNC 895313

APPROVAL: \_\_\_\_\_

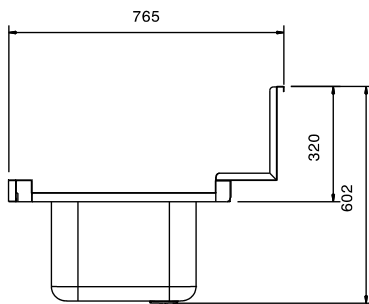


Experience the Excellence  
www.electroluxprofessional.com  
ELUX\_EMAIL

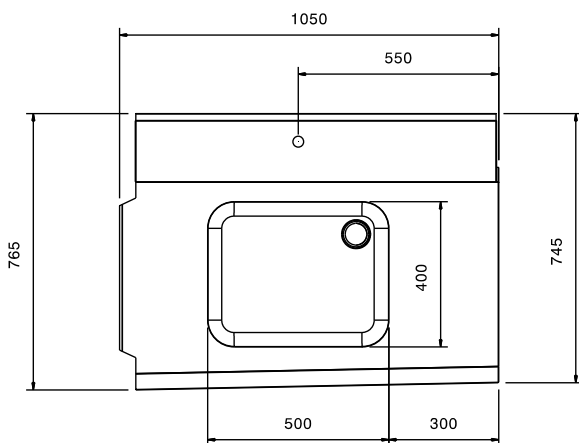
Front



Side



Top


**Key Information:**

External dimensions, Width:	1050 mm
865318 (BHHPIB10L)	
External dimensions, Depth:	765 mm
External dimensions, Height:	600 mm
Net weight:	8 kg
Basin dimensions:	500x400x300h
Feeding direction:	from Left to Right